

# Corinex High Density Gateway & Corinex Low Voltage Gateway



The High Density (HD) and Low Voltage (LV) Gateway with an Integrated 3 Phase Coupler is the latest development in 200Mbps AV200 technology from Corinex. The HD / LV Gateway allows for easy installations in neighbourhoods, single and multi-dwelling units (MDUs) where the HD / LV Gateway acts as a head-end modem, extending an existing internet connection (Fibre, ADSL, Satellite, etc.) over a powerline or coaxial cable infrastructure, depending on the customer's requirements and infrastructure.

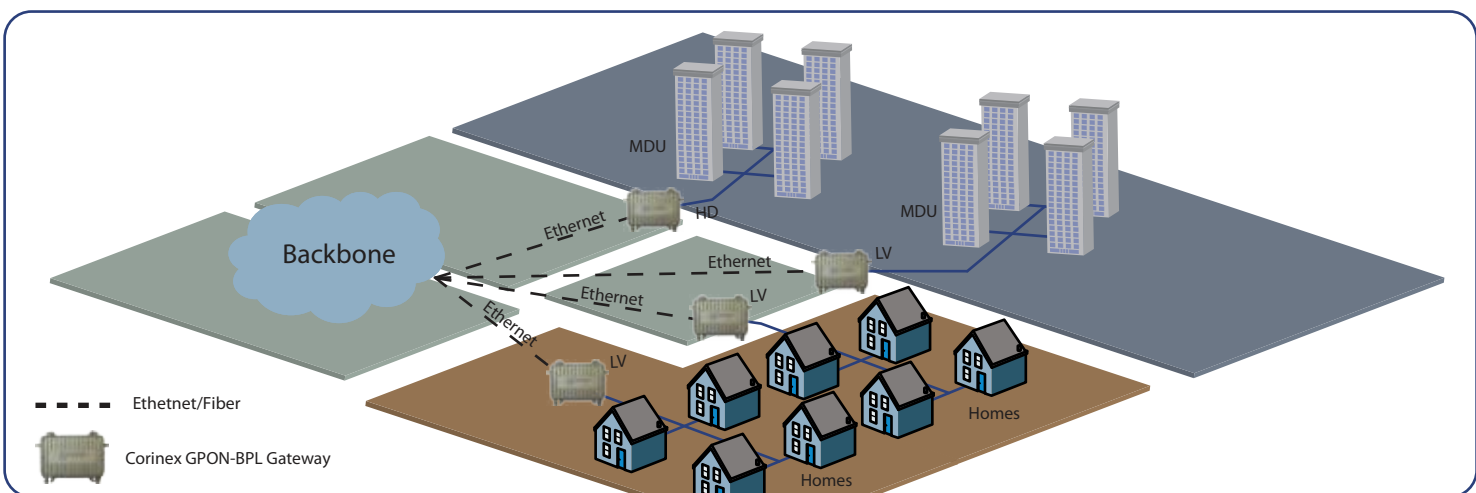
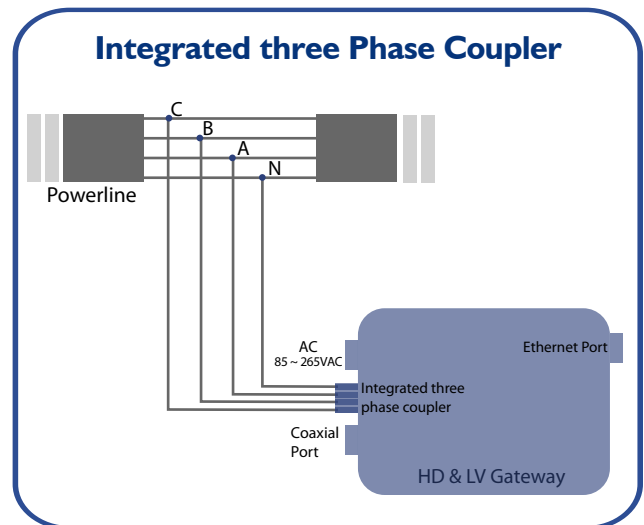
transfer rates of up to 200 Mbps. OFDM technology and the powerful error correction system used in AV200 technology allow for robust performance under harsh conditions in electrical or coaxial networks.

Combined with other Corinex Access and In-Premise products such as the Corinex Medium Voltage Gateway, Corinex AV200 Powerline Ethernet Adapter, and Corinex AV200 CableLAN Adapter, the Corinex HD / LV Gateway rounds out the largest 200 Mbps Powerline product portfolio in the world.

The Corinex HD / LV Access Gateway allows users to extend an internet connection to a powerline or cable network within an MDU, without the need for installing new wiring. End users can connect their Ethernet enabled devices such as PC's, VoIP phones, Media Centers, etc., using the Corinex AV200 Powerline Ethernet Adapter or Corinex AV200 CableLAN Adapter (connected to any electrical or coaxial socket in a premise) to create a link to the internet.

Corinex is the first company in the world to include a three phase coupler integrated into the design, providing the end user with a more reliable, flexible connection to the powerline access network. With the integrated coupler design, the customer can choose either a single phase or a three phase connection anytime without the need to order additional parts or make modifications during and after installation.

AV200 Powerline technology by Corinex provides numerous networking possibilities with amazingly fast physical layer



## Product Specifications

Product\Feature	MAC Addresses	Powerline Ports	Product Code
LV Gateway	64	32	CXP-LVA-GWYC
High Density Gateway	1024	64	CXP-HDA-GWYC

## Features:

- Physical data rates of up to 200 Mbps over distances of 300 meters (powerline) or 1200 meters (coax).
- Powerline and coaxial network interface ports allowing an internet connection to be extended over electrical wiring or existing cable infrastructure.
- 802.1Q VLAN & Optimized VLANs
- Powerful DES/3DES/AES encryption
- Integrated 802.1D Ethernet Bridge With Optimized Spanning Tree Protocol
- 8-level priority queues, with programmable priority-classification Engine
- Priority classification according to 802.1P tags, IP coding (IPv4 or Ipv6) or TCP source/destination ports
- 10/100BaseT Fast Ethernet interface for connection to the Internet Gateway
- Bridge Forwarding Table for 64 or 1024 MAC Addresses
- OFDM technology and powerful error correction system allow robust performance under harsh conditions in the electrical/cable network
- Optimized support for broadcast and multicast traffic
- Configuration via web interface or Corinex AV200 Network Management Software
- Integrated three phase coupler with line to neutral capacitive coupling

## Technical Specifications

<b>Standards Safety and EMI</b>	IEEE 802.3u, 802.1P, 802.1Q, FCC Part 15, OPERA EN 50412, EN 55022, EN 55024, EN 60950
<b>Backbone Speed</b>	Up to 200 Mbps on physical layer 100 Mbps on ethernet
<b>Three Phase Coupler to Powerline</b>	110VAC / 220VAC / 240VAC
<b>Interface</b>	10/100BaseT Fast Ethernet, Powerline Port, Coaxial Port
<b>Frequency Range</b>	2 – 34 MHz
<b>Power Input</b>	85 to 265VAC, 50/60 Hz
<b>Weight</b>	2 kg
<b>Dimensions</b>	230 x 185 x 80 mm
<b>Transmitted Power spectral density</b>	-50 dBm/Hz
<b>Power Consumption</b>	7 W
<b>Operating Temperature</b>	-20° to 70°C (-4°F to 158°F)
<b>Operating Humidity</b>	10% to 80% non-condensing

Product features and design may vary by version and region.



Corinex Communications Corp.  
#601 - 905 West Pender Street  
Vancouver, BC  
Canada V6C 1L6  
Tel: 604 - 692 0520  
Fax: 604 - 694 0061  
E-mail: [global@corinex.com](mailto:global@corinex.com)  
<http://www.corinex.com>

Corinex Global, a.s.  
Ambrova 6  
821 01 Bratislava 37  
Slovak Republic  
Europe  
Tel.: +421 - 2 - 59 - 212 - 000  
Fax: +421 - 2 - 59 - 212 - 222  
E-mail: [global@corinex.com](mailto:global@corinex.com)